

**FEATURES**

- 60" x 32" x 15" alcove bathtub.
- Acrylic material.
- Left-hand or right-hand drain location. (Must specify LH or RH when ordering.)
- Standard bathtub: through-the-floor drain installation.
- Drain not included.
- Round overflow hole.
- Has anti-slip texture on bottom.
- 10 Year Limited Residential Warranty / 3 Year Commercial Warranty.

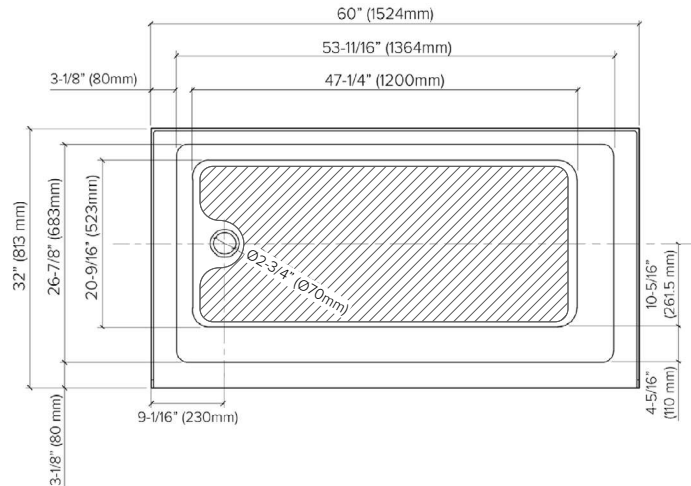
**OPTION**

- TDT Bathtub drain with traditional overflow in decorative finishes: PC, BN, MB, and CB. See back for information.



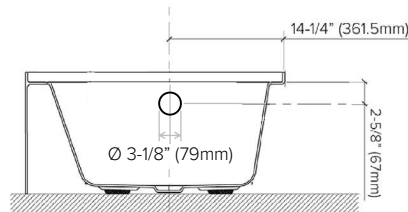
**Specified Model**

Model	UATTR603215-L/R
Dimensions	60"L x 32"W x 15"H
Drain Outlet	Left-Hand or Right-Hand
Water Capacity	60.5 gallons
Item Cubic Feet	16.67
Item Weight	52.04 lbs.
Shipping Weight	67.47 lbs.
Material	Acrylic
Installation	Alcove
Required	Wall mount faucet



**To Be Specified:**

<b>COLOR</b>	White
<b>FINISH</b>	Gloss



**Compliance Certifications - Meets or Exceeds the Following Specifications:**



U.P. Code B45.5/IAPMO Z124

- CSA B45.5/IAPMO Z124

**OPTIONAL**

TDT bathtub drain in decorative finishes.

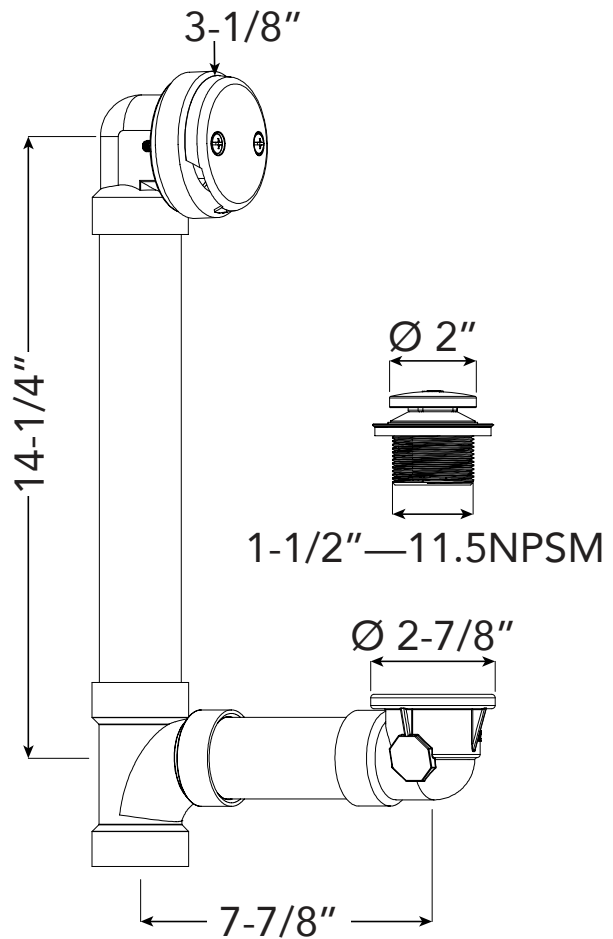
**SPECIFICATIONS**

TDT Traditional Bathtub Drain with Overflow.  
Drain is available in PVC material.

Finishes: PC Polished Chrome, BN Brushed Nickel, CB Champagne Bronze and MB Matte Black for PVC drains.

**To Be Specified:**

FINISH	
<input type="checkbox"/>	PC Polished Chrome
<input type="checkbox"/>	BN Brushed Nickel
<input type="checkbox"/>	CB Champagne Bronze
<input type="checkbox"/>	MB Matte Black



**TUBS**