

**FEATURES**

- 60" x 32" x 20-1/4" alcove bathtub.
- Acrylic material.
- Left-hand or right-hand drain location. (Must specify LH or RH when ordering.)
- Standard bathtub: through-the-floor drain installation.
- Drain not included.
- Round overflow hole.
- No anti-slip texture on bottom.
- 10 Year Limited Residential Warranty / 3 Year Commercial Warranty.

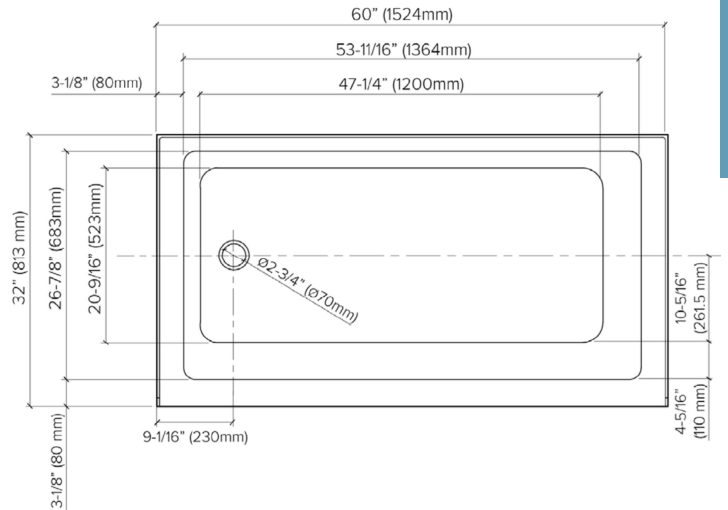
**OPTION**

- TDT Bathtub drain with traditional overflow in decorative finishes: PC, BN, MB, and CB. See back for information.




**Specified Model**

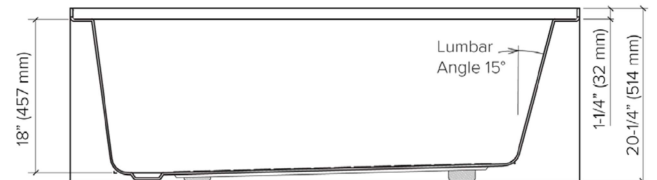
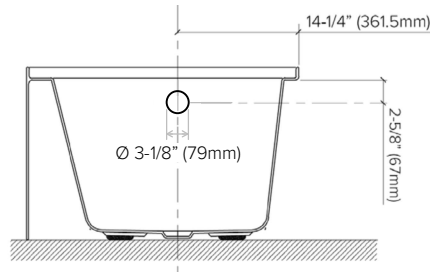
Model	UATTR603220-L/R
Dimensions	60"L x 32"W x 20 1/4"H
Drain Outlet	Left-Hand or Right-Hand
Water Capacity	74 gallons
Item Cubic Feet	22.50
Item Weight	70.56 lbs.
Shipping Weight	86.00 lbs.
Material	Acrylic
Installation	Alcove
Required	Wall mount faucet



**To Be Specified:**

<b>COLOR</b>	
White	
<b>FINISH</b>	Gloss White
Gloss	

Gloss White



**Compliance Certifications -  
Meets or Exceeds the Following Specifications:**



- CSA B45.5/IAPMO Z124

**OPTIONAL**

TDT bathtub drain in decorative finishes.

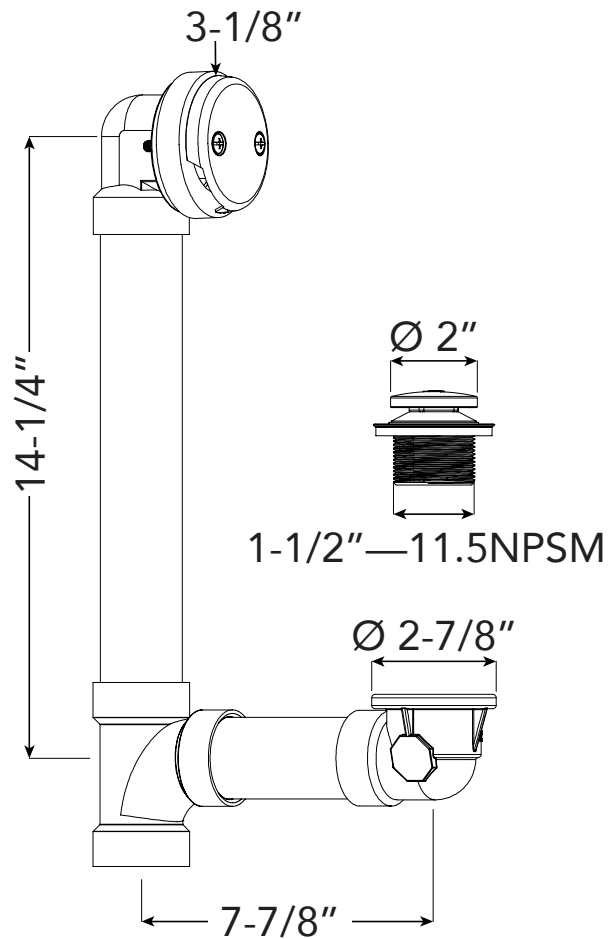
**SPECIFICATIONS**

TDT Traditional Bathtub Drain with Overflow.  
Drain is available in PVC material.

Finishes: PC Polished Chrome, BN Brushed Nickel, CB Champagne Bronze and MB Matte Black for PVC drains.

**To Be Specified:**

FINISH	
<input type="checkbox"/>	<b>PC</b> Polished Chrome
<input type="checkbox"/>	<b>BN</b> Brushed Nickel
<input type="checkbox"/>	<b>CB</b> Champagne Bronze
<input type="checkbox"/>	<b>MB</b> Matte Black



**TUBS**