

FEATURES

- 60" x 32" x 16-15/16" alcove bathtub.
- Acrylic material.
- Left-hand or right-hand drain location. (Must specify LH or RH when ordering.)
- Above Floor Rough (AFR) bathtub: above-the-floor drain installation.
- Drain not included.
- Linear overflow hole.
- Has anti-slip texture on bottom.
- Bathtubs available in a bulk pack of 15 (SMUATLN60321715-L/R).
- 10 Year Limited Residential Warranty / 3 Year Commercial Warranty.

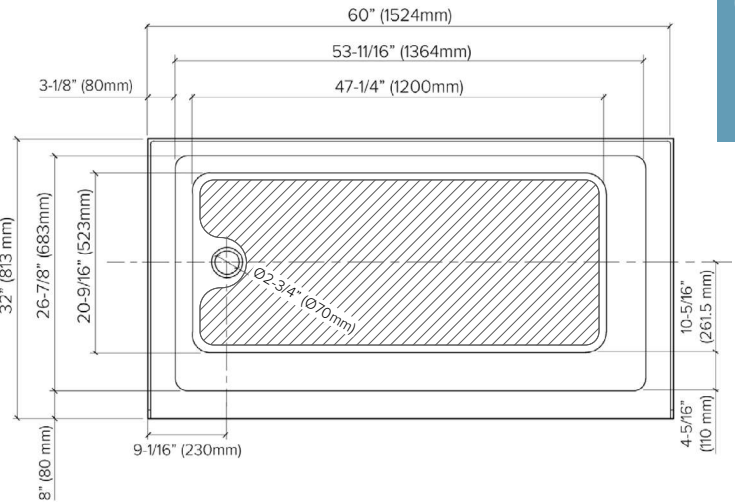
OPTION

- SMTDL Bathtub drain with linear overflow in decorative finishes: PC, BN, MB, and CB. See back for information.




Specified Model

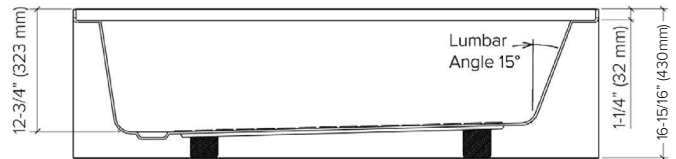
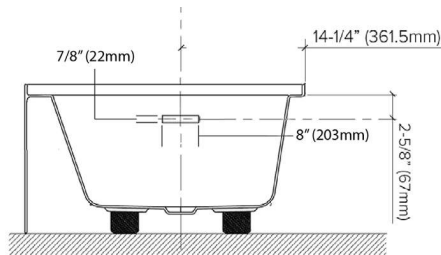
Model	SMUATLN603217-L/R
Dimensions	60"L x 32"W x 16 ¹⁵ / ₁₆ "H
Drain Outlet	Left-Hand or Right-Hand
Water Capacity	60.5 gallons
Item Cubic Feet	18.80
Item Weight	57.55 lbs.
Shipping Weight	72.99 lbs.
Material	Acrylic
Installation	Alcove
Required	Wall mount faucet



To Be Specified:

COLOR	
White	
FINISH	Gloss White
Gloss	

Gloss White



**Compliance Certifications -
Meets or Exceeds the Following Specifications:**



• CSA B45.5/IAPMO Z124

OPTIONAL

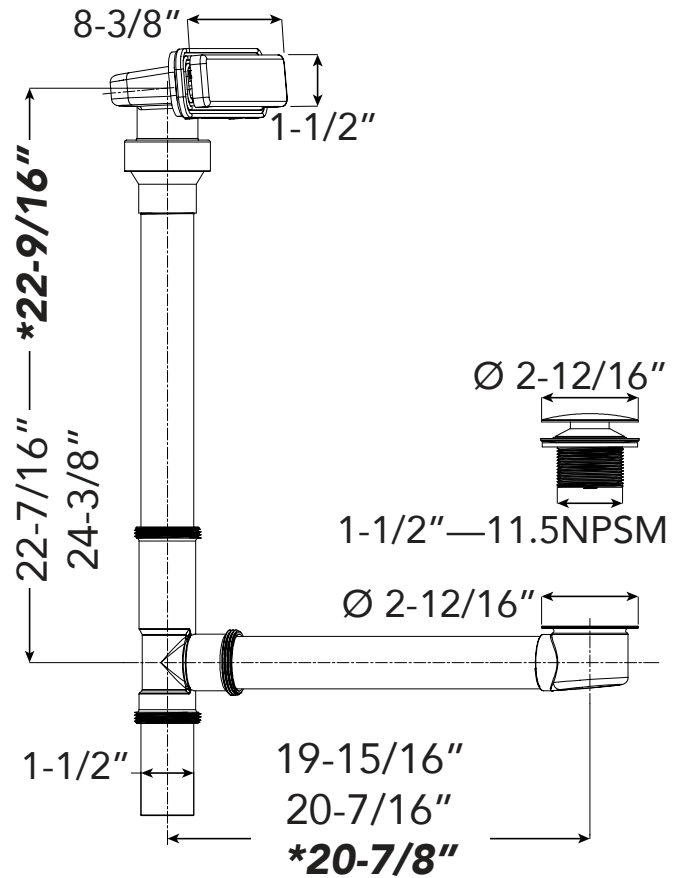
SMTDL bathtub drain in decorative finishes.

SPECIFICATIONS

SMTDL Linear Bathtub Drain with Overflow.
Drain is available in PVC or Brass material. Also available in 5 packs.
Finishes: PC Polished Chrome and BN Brushed Nickel for both PVC and Brass drains.
CB Champagne Bronze and MB Matte Black only for PVC drains.

To Be Specified:

FINISH	
<input type="checkbox"/>	PC Polished Chrome
<input type="checkbox"/>	BN Brushed Nickel
<input type="checkbox"/>	CB Champagne Bronze
<input type="checkbox"/>	MB Matte Black



***Brass Dimensions**