

FEATURES

- Storage Pods for on-site installation are beautiful and easy to install addition to Samuel Mueller shower walls.
- All pods have a 1/2" stainless steel flange surrounding the pod for a clean finished look.
- Vertical storage pods are designed to run between stud walls.
- Vertical pods include 3/8" tempered glass fixed shelves with locking clips. Shelves are cut with 1/4" clearance to allow water to run behind the shelves. Two shelves are included with 34-1/2"H and 46-1/2"H pods, and three shelves are included with 57"H pods.
- Storage Pod Back Wall Panel option available. Add shower wall material to the back walls of storage pods to either match or coordinate with wall colors. Storage pod can be ordered with the back wall panel together or separately. Note: Back wall panels unavailable in Gali Wave walls and Pioneer walls.
- LED Lighted Pods option available. Pods have a light strip on top side of pod. Pods are Direct Current (DC) lighted which includes transformer and driver with an 8 ft. cord with illumination of lights triggered from a motion sensor built into the storage pod.

COLORS

- Available in 3 finishes: brushed stainless (BS), PVD finish (CB), and Powder Coated finishes.

WARRANTY

- 10-Year Limited Residential / 3-Year Commercial

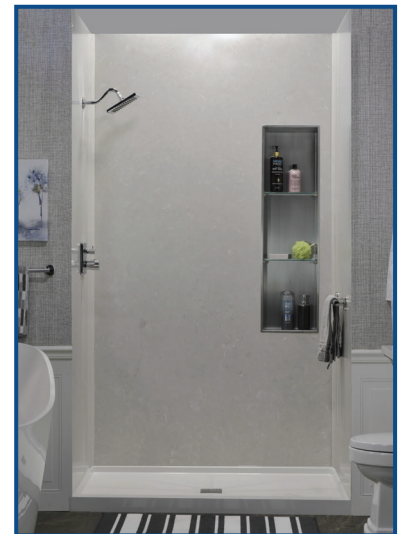
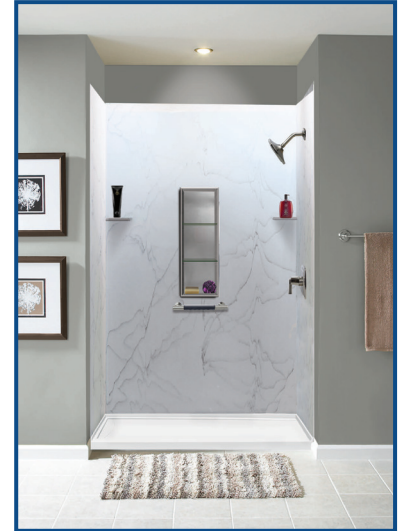
To Be Specified:

	Model No.	Description	Width	Height	Depth	Weight (lbs)
<input type="checkbox"/>	SMSTV5714-	57" Vertical Pod	57"	14"	3-3/4"	25
<input type="checkbox"/>	SMSTV4614-	46-1/2" Vertical Pod	46-1/2"	14"	3-3/4"	20
<input type="checkbox"/>	SMSTV3414-	34-1/2" Vertical Pod	34-1/2"	14"	3-3/4"	14

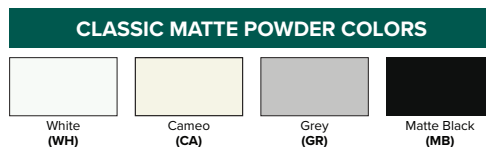
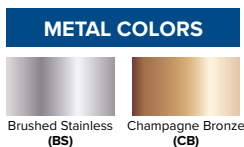
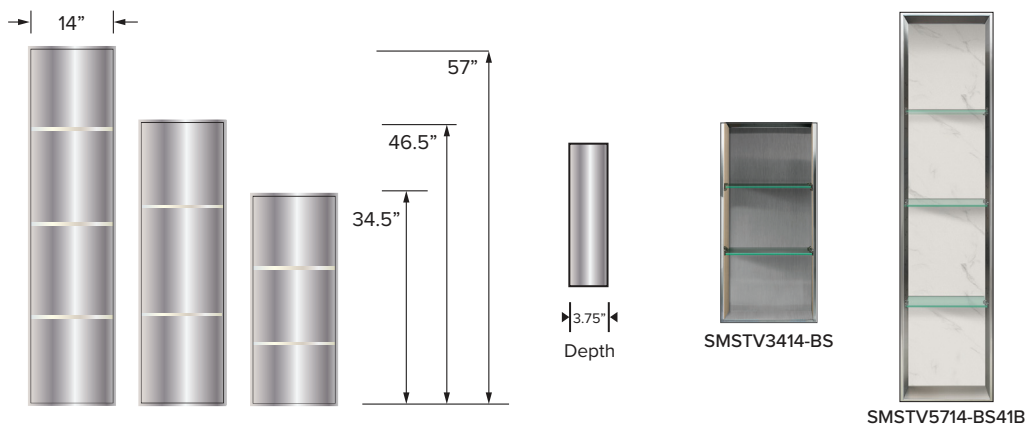
TO ORDER Plain Pod: add color code, see order example SMSTV5714-CB
(Vertical Storage Pod 57" x 14" in Champagne Bronze)

TO ORDER Pod With Back Wall Panel: see order example SMSTV5714-CB45B
(Vertical Storage Pod 57" x 14" in Champagne Bronze with Washed Oak Back Wall Panel)

TO ORDER Lighted Pod: see order example SMSTVL5714-CB45B
(Vertical Storage Pod 57" x 14", DC Powered Light, in Champagne Bronze with Washed Oak Back Wall Panel)



STORAGE PODS



Vertical Storage Pod

Model No.	Cut-Out Dimensions	
	Width	Height
SMSTV5714-	13-1/8"	56-1/8"
SMSTV4614-	13-1/8"	45-5/8"
SMSTV3414-	13-1/8"	33-5/8"

Install with a Header Top & Bottom



Vertical Storage Pod has fixed glass shelves

Vertical Storage Pod detail

