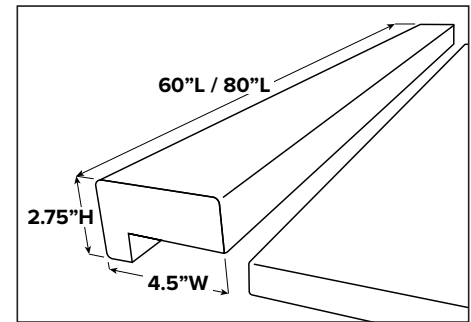


Features

- Heavy duty SMC Sheet Molding Compound material
- Field trimmable
- Has a 4" wide flat surface to accommodate shower doors
- Adds additional depth adjustment of 1" to 2-1/2" without any trimming of the base
- Adds more flexibility to Trimslate Zero Threshold, Trimslate Plus Zero Threshold, and Trimslate Elite Zero Threshold shower bases
- 10 Year Limited Residential Warranty / 3 Year Commercial Warranty



SHOWER BASES

Specified Model:

	Model No.	Length	Width	Height	Wt. (lbs)
<input type="checkbox"/>	T60-	60"	4-1/2"	2-3/4"	17
<input type="checkbox"/>	T80-	80"	4-1/2"	2-3/4"	25

To Be Specified: Color

<input type="checkbox"/>	09 Black	<input type="checkbox"/>	32 Cameo
<input type="checkbox"/>	29 Slate	<input type="checkbox"/>	33 Beach
<input type="checkbox"/>	31 White	<input type="checkbox"/>	40 Dark Grey

