

FEATURES

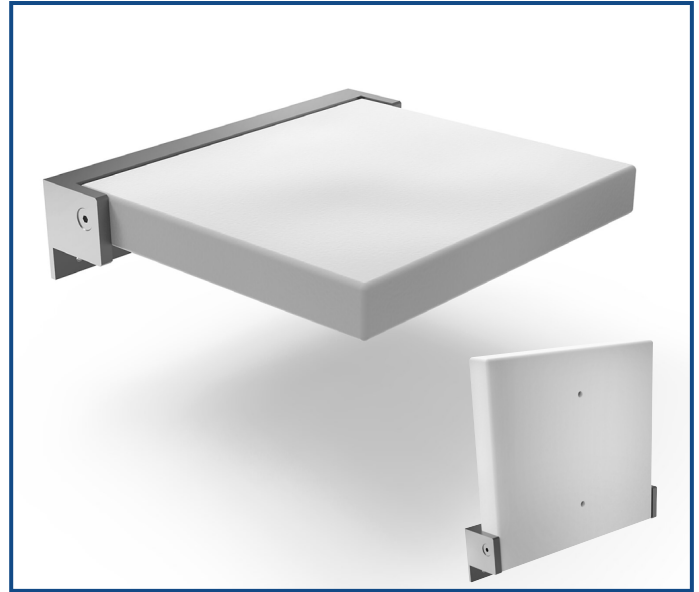
- Foldable Seat
- Seat material made from automotive-grade polyurethane foam
- Seat material is anti-microbial
- 304 Stainless steel mounting bracket for durability
- Holds up to 440 lbs. capacity

WARRANTY

- Lifetime Limited Warranty for residential use
- 5 Year Limited Warranty for commercial use

COLOR & FINISHES

- 2 seat colors available: White (01) & Black (09)
- 4 bracket finishes available (See below)



To Be Specified:

	Model No.	Seat Size W x D x H	Bracket Size W x H	Ship Wt. (lbs)
<input type="checkbox"/>	*PPS1414UP-	14" x 13 ⁵ / ₈ " x 1 ³ / ₄ "	15" x 3 ⁹ / ₁₆ "	14
<input type="checkbox"/>	PPS1420UP-	20" x 13 ⁵ / ₈ " x 1 ³ / ₄ "	21" x 3 ⁹ / ₁₆ "	18
<input type="checkbox"/>	**PPS1526UP-	26" x 15" x 1 ³ / ₄ "	26" x 3 ⁹ / ₁₆ "	26
<input type="checkbox"/>	***PPS1534UP-	34" x 15" x 1 ³ / ₄ "	34" x 3 ⁹ / ₁₆ "	31

TO ORDER add finish color after color code (ex. PPS1414IP-01PC)

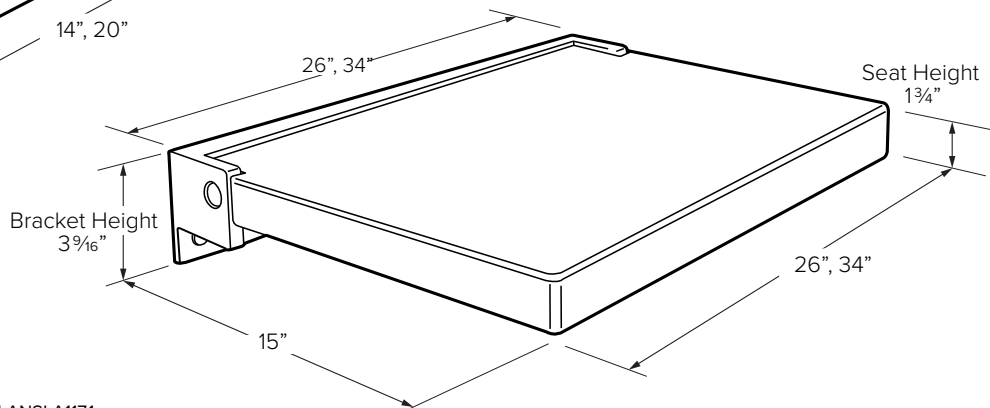
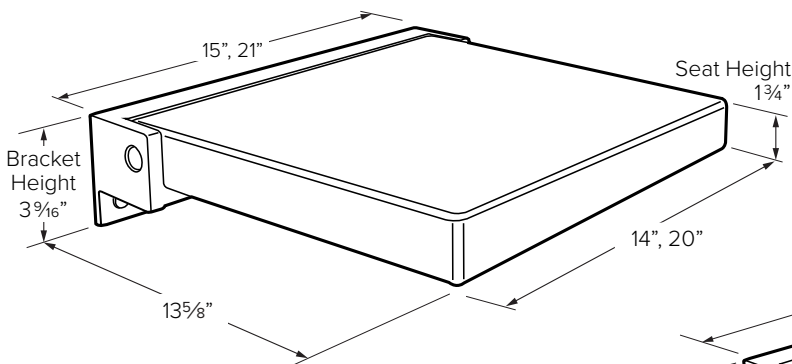
To Be Specified: Finish

BRACKET FINISHES	
<input type="checkbox"/>	PC Polished Chrome
<input type="checkbox"/>	BS Brushed Stainless
<input type="checkbox"/>	MB Matte Black
<input type="checkbox"/>	CB Champagne Bronze

*PPS1414UP- only available in Polished Chrome and Brushed Stainless

**PPS1526UP- meets ADA requirements; available in Polished Chrome, Brushed Stainless, & Matte Black

***PPS1534UP- meets ADA requirements; only available in Polished Chrome and Brushed Stainless



Meets the Americans with Disabilities Act guidelines and ANSI A117.1 requirements for accessible and usable building facilities-check local codes when installed per accessibility guidelines of the act.