

FEATURES

- Covered Flip-Top Disposer Strainer.
- Keeps sink looking beautiful with it's clean design.
- Water drains easily when cover is in place.
- Cover flips up with easy touch.
- Easy to use - simply place in disposer flange.
- Designed to work with most all disposer brands.
- Fits standard 3-1/2" (89mm) drain opening
- Stainless steel strainer cover available in (PS) polished stainless, (BS) brushed stainless, or (GM) gun metal finish.
- Polypropylene drain housing.

WARRANTY

- 1 Year Limited Warranty



Specified Model

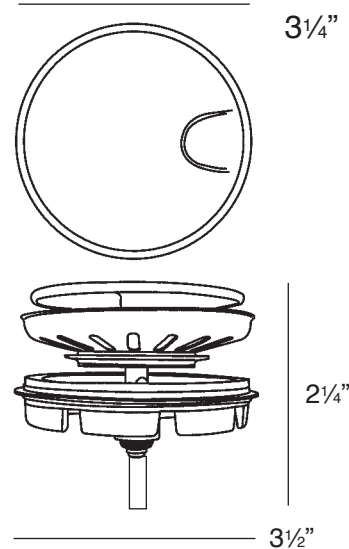
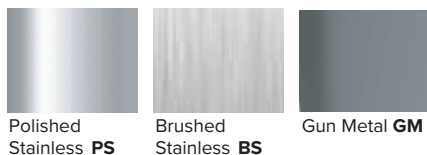
Model	4010
Overall Dimensions	L3½" x W3½" x H2½" 89 x 89 x 64
Drain opening	3½" (89mm)
Shipping Weight	3 lbs.
Carton Quantity	12
Material	
Cover	Stainless steel
Drain Housing	Polypropylene
Installation	Place in disposer flange



To Be Specified

	Finish
<input type="checkbox"/>	PS Polished Stainless
<input type="checkbox"/>	BS Brushed Stainless
<input type="checkbox"/>	GM Gun Metal

Stainless Finishes



STRAINERS

Notes

Install this product according to the installation instructions.