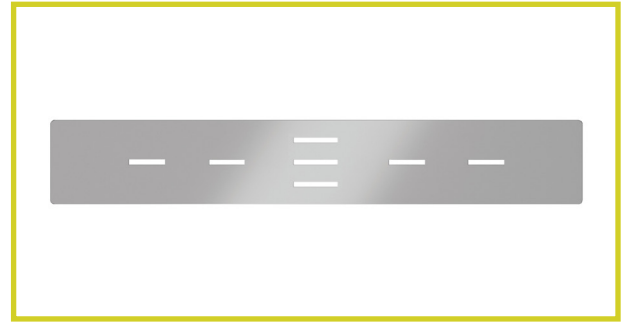


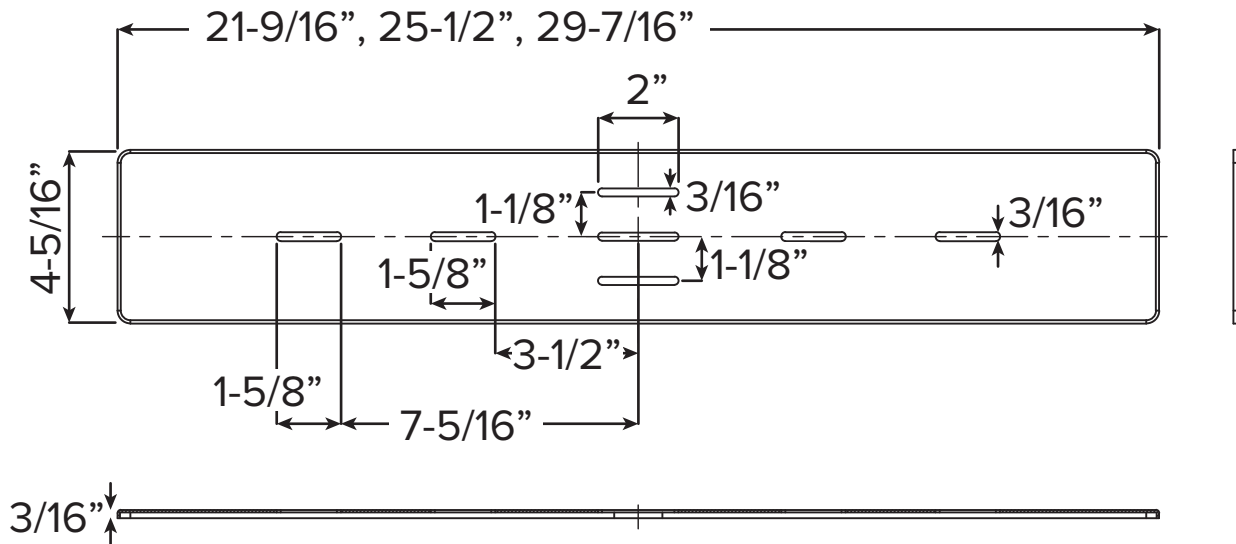
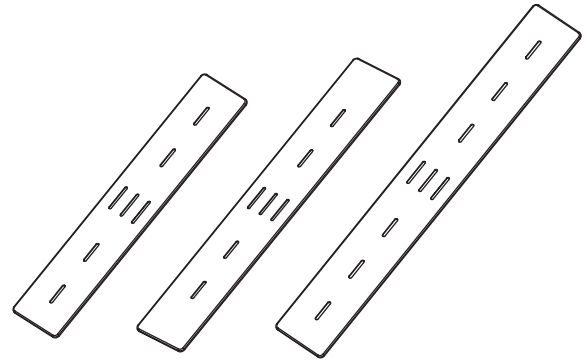
### FEATURES

- Updated FZS drain cover
- Slotted rectangular stainless steel drain cover
- For use with 32", 36", 42" and 48" width center drain SMFZS models
- Comes in stainless steel color or power-coated colors to match or compliment Trimslate bases
- 548 covers are for use with SMFZS48\_\_C models
- 648 covers are for use with SMFZS60\_\_C and SMFZS63\_\_C models
- 748 covers are for use with SMFZS66\_\_C, SMFZS67\_\_C, and SMFZS72\_\_C models



### Specified Models:

	Model No.	Description	Length	Width	Height	Weight (lbs)
<input type="checkbox"/>	FZSCVRC__NB-548	21-9/16" FZS Drain Cover	21-9/16"	4-1/4"	3/16"	3
<input type="checkbox"/>	FZSCVRC__NB-648	25-1/2" FZS Drain Cover	25-1/2"	4-1/4"	3/16"	3
<input type="checkbox"/>	FZSCVRC__NB-748	29-7/16" FZS Drain Cover	29-7/16"	4-1/4"	3/16"	3



DRAIN COVERS

<input type="checkbox"/>	Stainless Steel <b>SS</b>
<input type="checkbox"/>	White <b>31</b>
<input type="checkbox"/>	Cameo <b>32</b>
<input type="checkbox"/>	Grey <b>39</b>
<input type="checkbox"/>	Black <b>09</b>



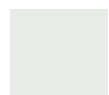
Stainless Steel **SS**



White **31**



Cameo **32**



Grey **39**



Black **09**