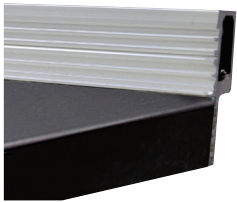


Features

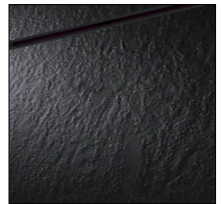
- Low profile single, double or peninsula shower base with natural stone effect.
- Ultra low 1" threshold front curb for easy access and finishes flush with most finished floors.
- Heavy duty Sheet Molding Compound material.
- Installation for new and existing construction.
- 1" high aluminum tiling flange included.
- Bases can be trimmed in the field to fit your space.
- Select from single, double or peninsula threshold.
- Slip resistant; lightly textured slate floor for a safe environment yet maintains an easy to clean surface.
- Color-matched SMC drain cover. Drain not included.
- Weight capacity of 660 pounds.
- Optional threshold can be added to form a conventional base. Design is similar to other Trimslate bases and will accommodate the current add-on threshold.
- 10 Year Limited Residential / 3 Year Commercial Warranty



Tiling flange



Modern Slip Resistance with a stone look texture. Easy to clean as well as slip resistant.



Specified Models

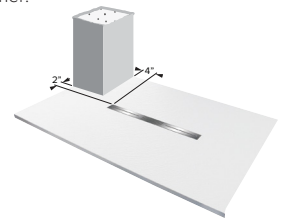
	Model No.	Length A	Width B	Ctr C	Ctr D	Height
<input type="checkbox"/>	SMFZSE4836C-	47.2"	35.5"	23.60"	17.75"	1"
<input type="checkbox"/>	SMFZSE6036C-	59.1"	35.5"	29.55"	17.75"	1"
<input type="checkbox"/>	SMFZSE6042C-	59.1"	41.5"	29.55"	20.75"	1"
<input type="checkbox"/>	*SMFZSE7248C-	70.9"	47.5"	35.45"	23.75"	1"

* Meets ADA requirements.

CUSTOMIZABLE BASE

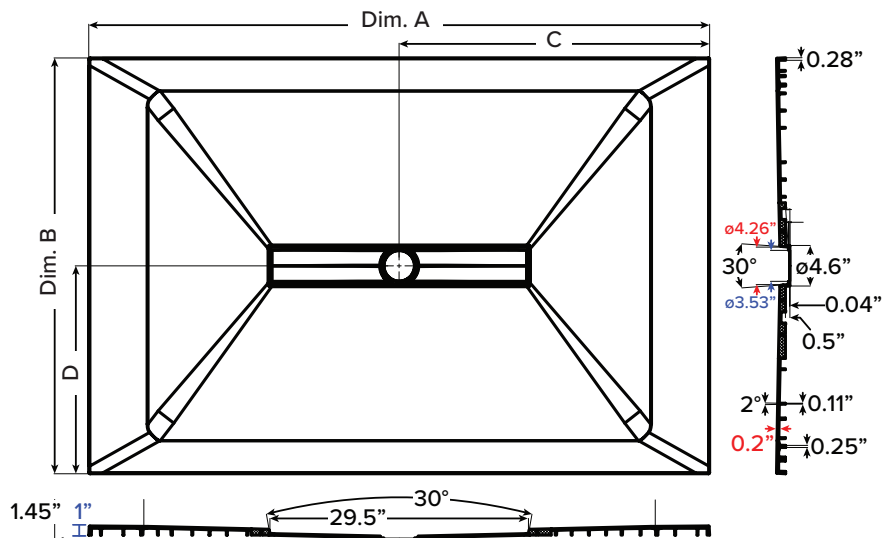
Note: Bases can be built to accommodate unique sizes. Notches can also be cut from the bases to allow for columns in a corner.

Base can be built to custom sizes within certain limitations. Can be trimmed up to 4" in width away from either side of drain or up to 2" from depth on center drain models. Base is designed to be used as a single, double or triple threshold in stock sizes.



To Be Specified: Color

<input type="checkbox"/>	31 White
<input type="checkbox"/>	32 Cameo
<input type="checkbox"/>	33 Caramel
<input type="checkbox"/>	40 Dark Grey
<input type="checkbox"/>	09 Black



Notes: Install this product according to the installation instructions.