

FEATURES

- For tubs with built-in overflow
- 2-1/2" Long drain body
- 1-1/2 – 11-1/2 NPSM Thread
- Female thread for 1-1/2" brass tube (not included)
- Maximum 1" thick tub drain overflow
- 2" Drain hole required

WARRANTY

- 1-Year Limited Residential

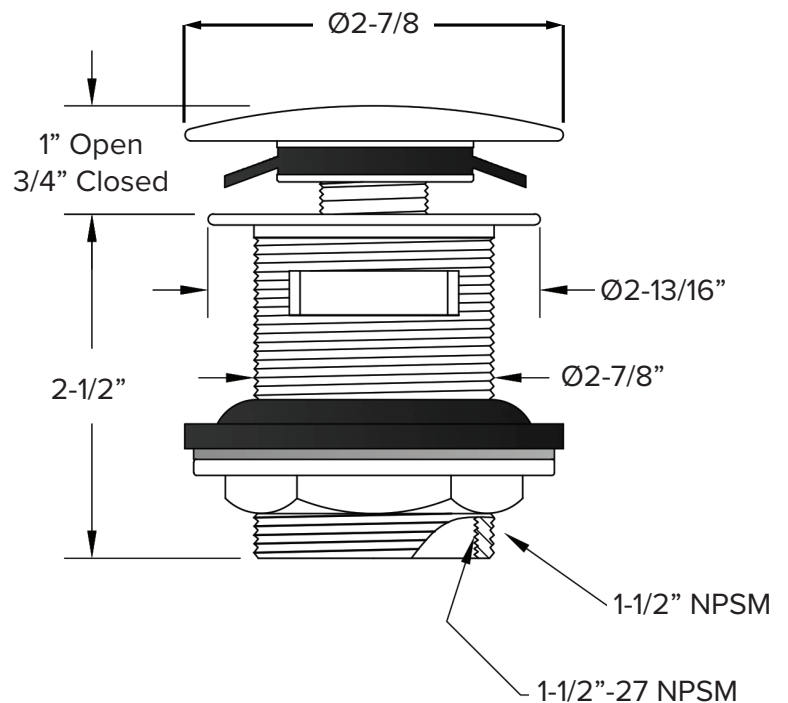


Drain Model

Model No.	Description	Length	Width	Weight (lbs)
TD10-	EZ-Click Bathtub Drain	2-13/16"	2-13/16"	3

To Be Specified:

FINISH			
<input type="checkbox"/>	PC Polished Chrome	<input type="checkbox"/>	VB Venetian Bronze
<input type="checkbox"/>	BN Brushed Nickel	<input type="checkbox"/>	MB Matte Black
<input type="checkbox"/>	PN Polished Nickel	<input type="checkbox"/>	WH White
<input type="checkbox"/>	ORB Oil Rubbed Bronze		



Compliance Certifications

Meets or Exceeds the Following Specifications:

Listed by IAPMO R&T:

Uniform Plumbing Code (UPC®)

National Plumbing Code of Canada