

**FEATURES**

- Covered Flip-Top Disposer Strainer.
- Keeps sink looking beautiful with it's clean design.
- Water drains easily when cover is in place.
- Cover flips up with easy touch.
- Easy to use - simply place in disposer flange.
- Designed to work with most all disposer brands.
- Fits standard 3-1/2" (89mm) drain opening
- Stainless steel strainer cover available in (PS) polished stainless, (BS) brushed stainless, or (GM) gun metal finish.
- Polypropylene drain housing.

**WARRANTY**

- 1 Year Limited Warranty


**Specified Model**

Model	4010
Overall Dimensions	L3½" x W3½" x H2½" 89 x 89 x 64
Drain opening	3½" (89mm)
Shipping Weight	3 lbs.
Carton Quantity	12
Material	
Cover	Stainless steel
Drain Housing	Polypropylene
Installation	Place in disposer flange


**To Be Specified**

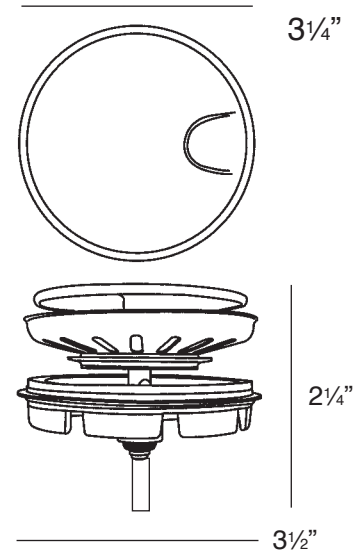
	Finish
<input type="checkbox"/>	<b>PS</b> Polished Stainless
<input type="checkbox"/>	<b>BS</b> Brushed Stainless
<input type="checkbox"/>	<b>GM</b> Gun Metal

**Stainless Finishes**


Polished Stainless **PS**    Brushed Stainless **BS**    Gun Metal **GM**

**Notes**

Install this product according to the installation instructions.


**STRAINERS**