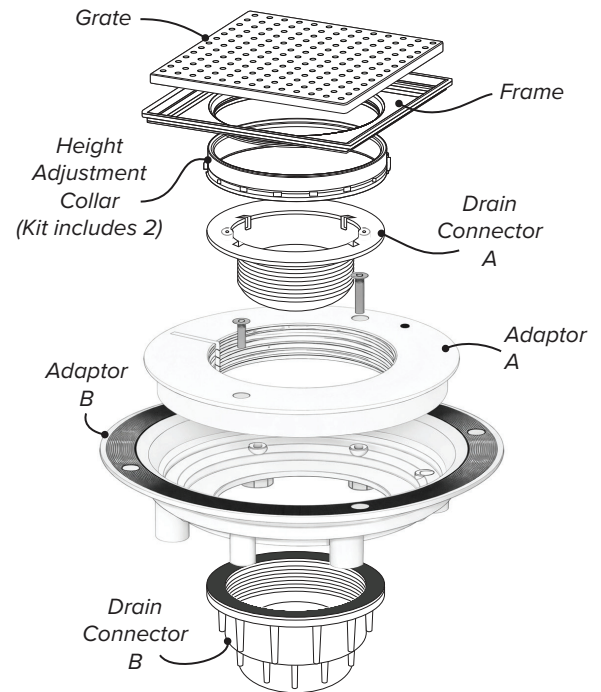
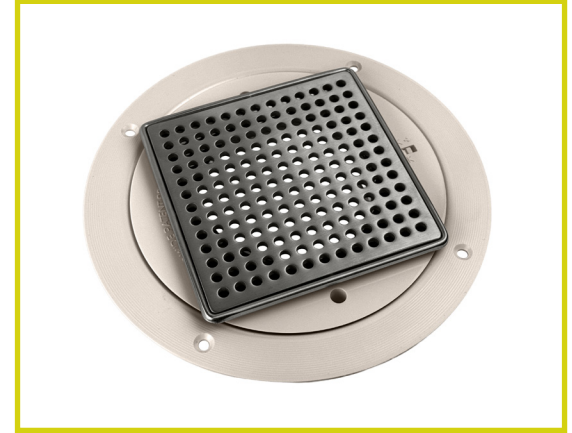


FEATURES

- Shower drain assembly for tiled shower installations
- Includes drain assembly, drain connector, and drain gasket
- Grate and frame constructed from SAE Grade 304 stainless steel
- Adaptor, clamping ring, lock key, and height-adjustment collars manufactured from durable ABS plastic
- All required installation hardware is included and fabricated from stainless steel, including:
 - Clamping ring fasteners: flat-head bolts, 0.70 pitch, 4 mm x 15 mm stainless steel (2 supplied)
 - Adaptor-to-base fasteners: flat-head screws, #8 x 3/4" stainless steel (4 supplied).
- Includes a leverage (removal) key for grate removal
- Two height-adjustment collars included to accommodate tile thicknesses from 1/4" to 1"; both collars incorporate weep holes for secondary drainage beneath tile surface
- Short height-adjustment collar supports tile thicknesses from 1/4" to 5/8"
- Tall height-adjustment collar supports tile thicknesses from 5/8" to 1"
- White drain gasket fabricated from nonwoven polyester material with dimensions of 7-15/16" x 7-15/16" and a pre-punched 5-1/2" diameter opening; thickness is approximately 0.65mm; is embedded between the drain adaptor and shower foundation to create a continuous waterproof seal
- Shower drain connector constructed of PVC and is solvent-welded to a 2" diameter drain line; mechanically clamps to the bottom flange of the drain adaptor
- Designed to accommodate maximum water flow rates of approximately 6–7 gallons/minute; actual drainage capacity should be verified by a licensed plumbing professional
- Clamping ring engages the drain gasket to form a mechanical waterproofing seal, protecting all drain assembly joints outside the primary drain channel

WARRANTY

- 1-Year Limited Residential



Stock Sized Specified Models

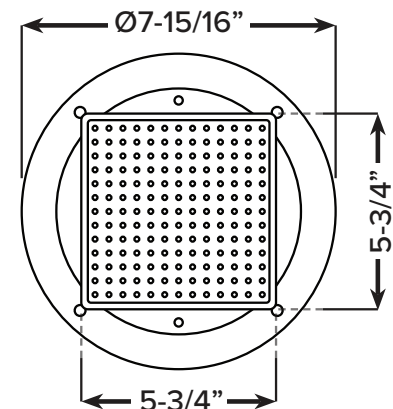
	Model No.	Description	Length	Width	Ship Wt. (lbs)
<input type="checkbox"/>	TCD1250-BS	Shower Drain	7-15/16"	7-15/16"	4.0

Available in Brushed Stainless:

Brushed Stainless
BS

Codes & Compliance:

- 2015, 2012 and 2009 International Residential Code® (IRC)
- 2015, 2012 and 2009 International Plumbing Code® (IPC)
- 2015, 2012 and 2009 Uniform Plumbing Code® (UPC)
- 2010 and 2005 National Plumbing Code of Canada (NPC)
- ASME A112.18.2/CSA B125.2-2011, Plumbing Waste Fittings



SHOWER BASES