

FEATURES

- Solid surface shelf rests on the grab bar.
- Slide to any location on the grab bar.
- Removable for easy clean.
- For use with Maddox (M), Simons (S), and Turin (T) or (TZ) grab bars.
- NOT for use with 12" and 16" grab bars. Use with 18" and longer grab bar.
- Grab bar NOT included; must be purchased separately.

COLORS

- Colors are matching Lusso, Samarar, and Bravastone.
- Complimentary colors are available for Titan, Expressions, Prodigy, and Prodigy Plus.

WARRANTY

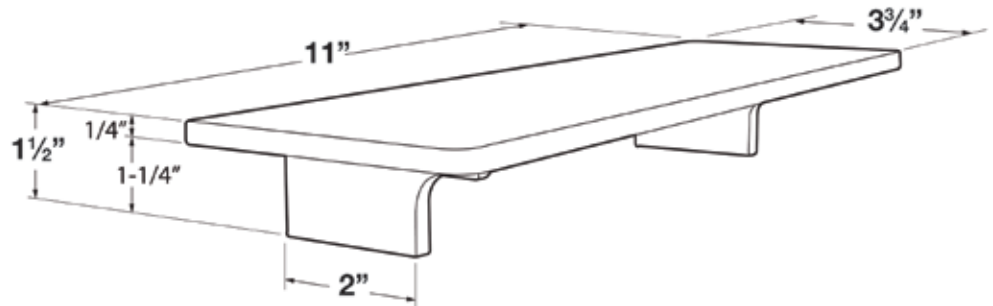
- 10-Year Limited Residential / 3-Year Limited Commercial



To be specified:

	Model	Depth	Length	Width	Height	Ship Wt. (lbs)
<input type="checkbox"/>	GBS114-	Grab Bar Shelf	11"	3-3/4"	1-1/2"	2

TO ORDER: Insert specific grab bar and finish color after Model No. Order example: GBS114-M-50 (Grab Bar Shelf for Maddox Grab Bar in Lunar)



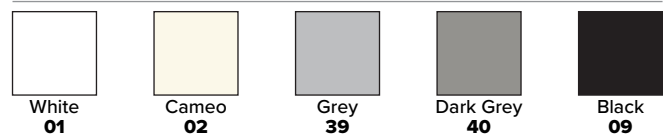
Samarar Colors (in Velvet Smooth Finish)



Lusso Colors



Complimentary Colors



Bravastone Colors

