

FEATURES

- 60" x 30" x 22-1/4" alcove bathtub.
- Acrylic material.
- Left-hand or right-hand drain location. (Must specify LH or RH when ordering.)
- Above Floor Rough (AFR) bathtub: above-the-floor drain installation.
- Drain not included.
- Linear overflow hole.
- No anti-slip texture on bottom.
- 10 Year Limited Residential Warranty / 3 Year Commercial Warranty.

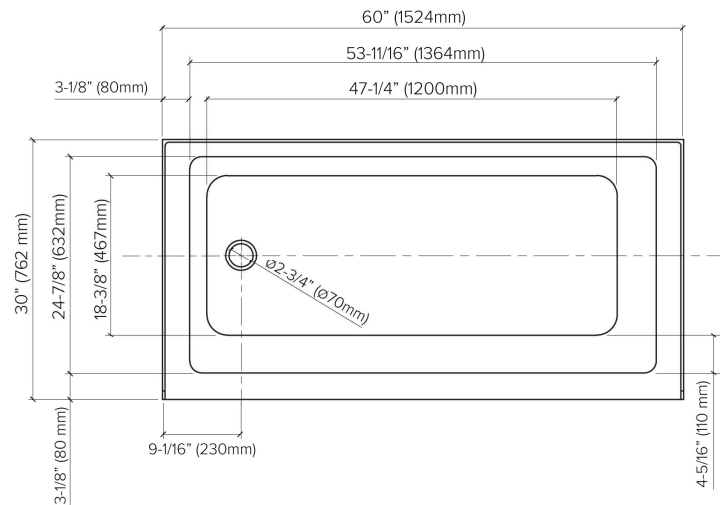
OPTION

- TDL Bathtub drain with linear overflow in decorative finishes: PC, BN, MB, and CB. See back for information.





Specified Model

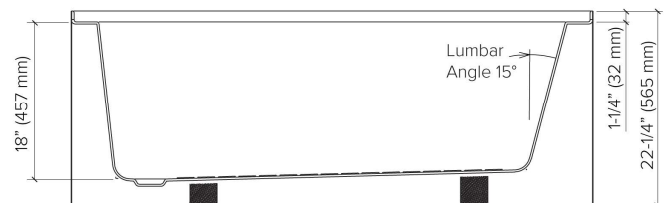
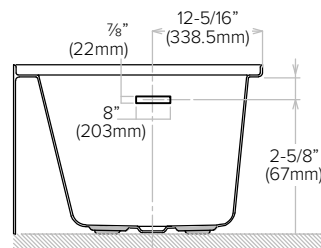
| Model | UATLN603022-L/R |
|-----------------|-------------------------|
| Dimensions | 60"L x 30"W x 22 1/4"H |
| Drain Outlet | Left-Hand or Right-Hand |
| Water Capacity | 67.5 gallons |
| Item Cubic Feet | 23.17 |
| Item Weight | 70.56 lbs. |
| Shipping Weight | 86.00 lbs. |
| Material | Acrylic |
| Installation | Alcove |
| Required | Wall mount faucet |



To Be Specified:

| | |
|---------------|---|
| COLOR |  |
| White | |
| FINISH |  |
| Gloss | |

Gloss White



**Compliance Certifications -
Meets or Exceeds the Following Specifications:**



- CSA B45.5/IAPMO Z124

OPTIONAL

TDL bathtub drain in decorative finishes.

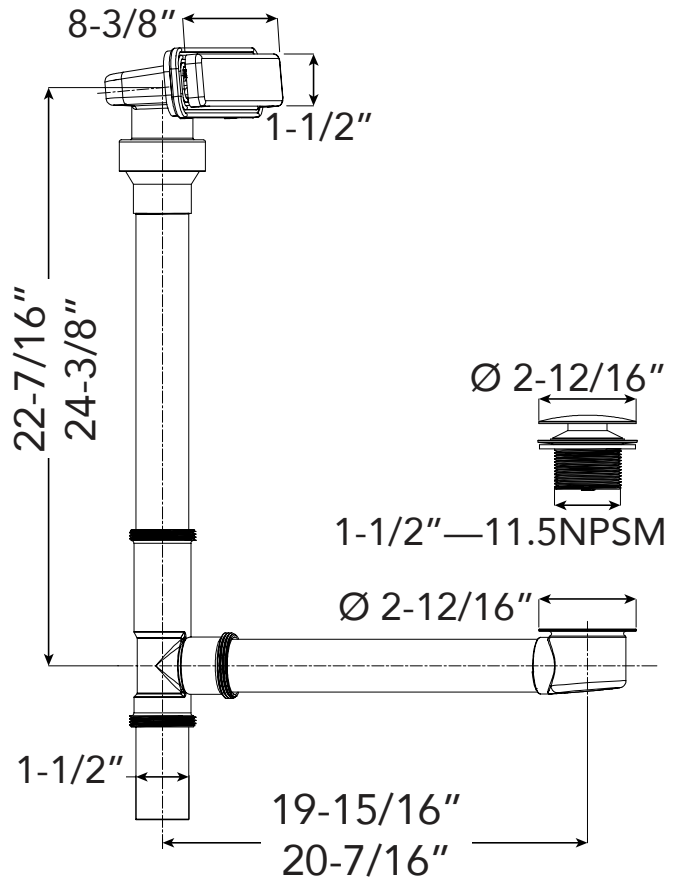
SPECIFICATIONS

TDL Linear Bathtub Drain with Overflow.
Drain is available in PVC material.

Finishes: PC Polished Chrome, BN Brushed Nickel, CB Champagne Bronze and MB Matte Black for PVC drains.

To Be Specified:

| FINISH | |
|--------------------------|----------------------------|
| <input type="checkbox"/> | PC Polished Chrome |
| <input type="checkbox"/> | BN Brushed Nickel |
| <input type="checkbox"/> | CB Champagne Bronze |
| <input type="checkbox"/> | MB Matte Black |



TUBS