

### FEATURES

- 60" x 30" x 15" alcove bathtub.
- Acrylic material.
- Left-hand or right-hand drain location. (Must specify LH or RH when ordering.)
- Drain not included.
- Round overflow hole.
- Has anti-slip texture on bottom.
- 10 Year Limited Residential Warranty / 3 Year Commercial Warranty.

### OPTION



- TDT Bathtub drain with traditional overflow in decorative finishes: PC, BN, MB, and CB. See back for information.



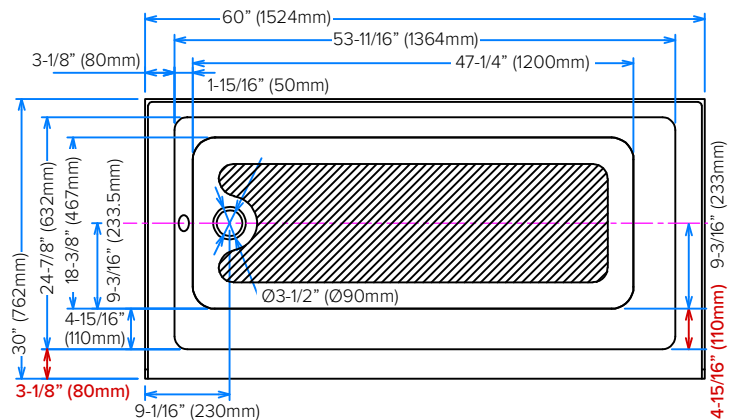
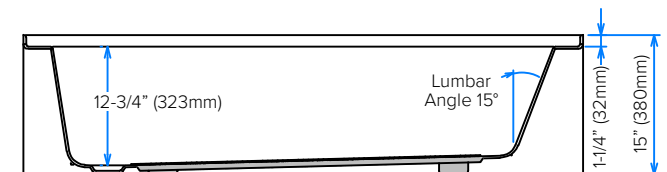
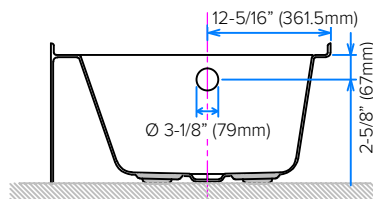
### Specified Model

Model	UATTR603015-L/R
Dimensions	60"L x 30"W x 15"H
Drain Outlet	Left-Hand or Right-Hand
Water Capacity	39.89 gallons
Item Cubic Feet	15.63
Item Weight	50.72 lbs.
Shipping Weight	59.54 lbs.
Material	Acrylic
Installation	Alcove
Required	Wall mount faucet

### To Be Specified:

<b>COLOR</b>	
White	
<b>FINISH</b>	
Gloss	

Gloss White



**Compliance Certifications -  
Meets or Exceeds the Following Specifications:**



• CSA B45.5/IAPMO Z124

**OPTIONAL**

TDT bathtub drain in decorative finishes.

**SPECIFICATIONS**

TDT Traditional Bathtub Drain with Overflow.  
Drain is available in PVC material.

Finishes: PC Polished Chrome, BN Brushed Nickel, CB Champagne Bronze and MB Matte Black for PVC drains.

**To Be Specified:**

FINISH	
<input type="checkbox"/>	<b>PC</b> Polished Chrome
<input type="checkbox"/>	<b>BN</b> Brushed Nickel
<input type="checkbox"/>	<b>CB</b> Champagne Bronze
<input type="checkbox"/>	<b>MB</b> Matte Black

